

Specifications

C-Ku LNB: CK21

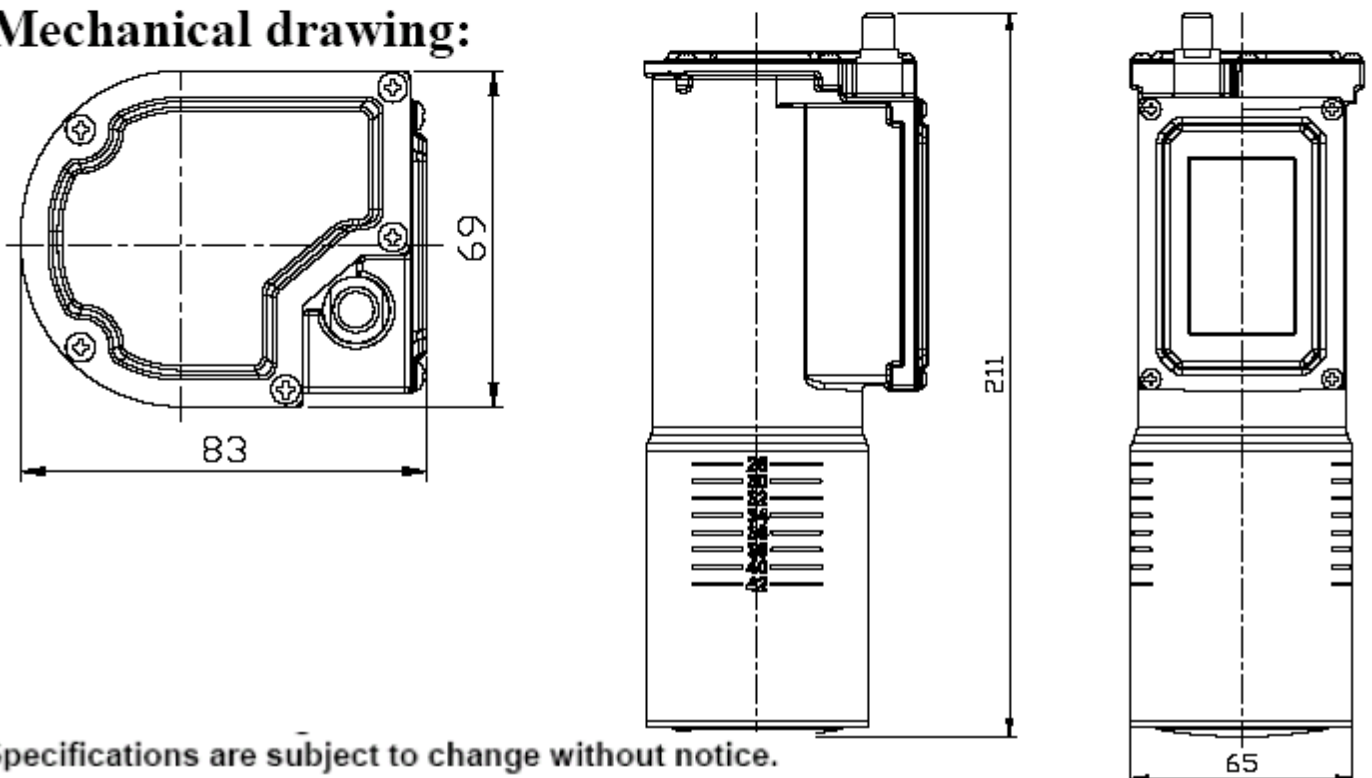
Universal Ku Band

	Low Band	Hi Band
1. Input Frequency Range	10.7 ~ 11.7 GHz	11.7 ~ 12.75 GHz
2. Output Frequency Range	950 ~ 1950 MHz	1100 ~ 2150 MHz
3. L.O. Frequency	9.75 GHz	10.6 GHz
4. Noise Figure	0.9 dB (Typ.)	1.3 dB (Max.)
5. Input Reflector Type	Prime Focus	
6. Cross Pol. Isolation	18 dB (Min.)	25 dB (Typ.)
7. Conversion Gain	55 dB (Min.)	67 dB (Max.)
8. Gain Flatness	± 0.5 dB / 27 MHz	
9. L.O. Frequency Stability	(25 °C) (-30 °C ~ + 60 °C)	±1 MHz ±3 MHz
10. L.O. Phase Noise	(1 KHz Offset) (10 KHz Offset) (100 KHz Offset)	- 55 dBc/Hz - 80 dBc/Hz - 100 dBc/Hz
11. Output Power (at 1 dB Gain Compression Point)	0 dBm (Min.)	
12. D.C. Supply Voltage	11.5 ~ 19 V	
13. D.C. Current Consumption	120 mA (Max.)	
14. Polarity Switching Voltage	Vertical : 11.5 ~ 14 V Horizontal : 16 ~ 19 V	
15. Band Switching	Low Band Hi Band	0 KHz 22 KHz ± 4 KHz continuous tone signal**
16. Operating Temperature	- 30°C ~ + 60°C	

Output

1. Output Connector	75Ω F Type (Female)
2. Output Return Loss	7.5 dB
3. DiSEqC Commend (Version 1.0)	SA Ku Band SB C Band

Mechanical drawing:



Specifications are subject to change without notice.