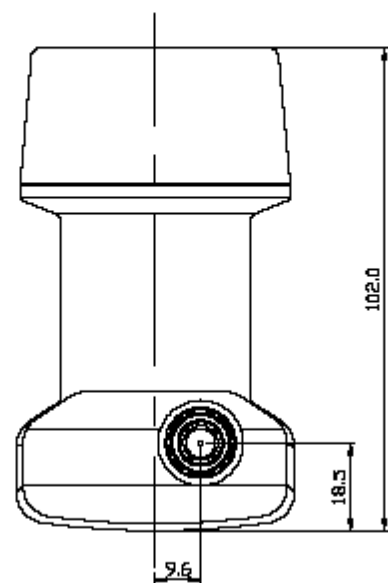
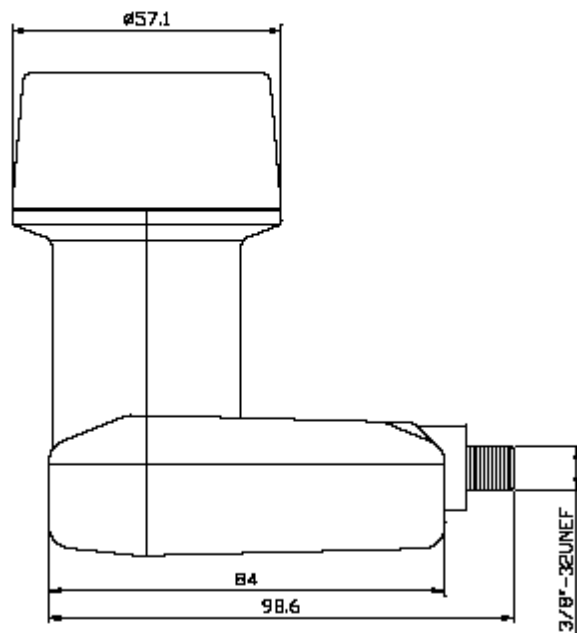


# Specifications

## Universal Single LNB: ZKF - J21N

|  | Low Band  | Hi Band  |
|--|---|--|
| 1. Input Frequency Range                               | 10.7 ~ 11.7 GHz   | 11.7 ~ 12.75 GHz                                 |
| 2. Output Frequency Range                              | 950 ~ 1950 MHz  | 1100 ~ 2150 MHz                                  |
| 3. L.O. Frequency                                      | 9.75 GHz  | 10.6 GHz   |
| 4. Noise Figure  | 0.7 dB (Typ.)   |  |
| 5. F/D Ratio   | 0.6   |  |
| 6. Input Reflector Type                                | Offset  |  |
| 7. Cross Pol. Isolation                                | 22 dB (Min.)  | 28 dB (Typ.)                                     |
| 8. Conversion Gain                                     | 50 dB (Min.)  | 62 dB (Max.)                                     |
| 9. Gain Flatness                                       | ± 0.5 dB / 27 MHz   |  |
| 10. L.O. Frequency Stability                           | (25 °C )<br>(-30 °C ~ 60 °C)                                | ±1 MHz<br>±3 MHz                                 |
| 11. L.O. Phase Noise                                   | ( 1 KHz Offset )<br>( 10 KHz Offset )<br>( 100 KHz Offset ) | - 60 dBc/Hz<br>- 80 dBc/Hz<br>- 100 dBc/Hz       |
| 12. Output Power<br>( at 1 dB Gain Compression Point ) | 0 dBm ( Min.)   |  |
| 13. Output Return Loss                                 | 7.5 dB  |  |
| 14. Output Connector                                   | 75Ω F Type (Female)   |  |
| 15. D.C. Supply Voltage                                | 11.5 ~ 19 V   |  |
| 16. D.C. Current Consumption                           | 90 mA (Typ.) 150 mA (Max.)                                  |  |
| 17. Polarity Switching Voltage                         | Vertical : 11.5 ~ 14 V<br>Horizontal : 16 ~ 19 V            |  |
| 18. Band Switching                                     | Low Band<br>Hi Band   | 0 KHz<br>22 KHz ± 4 KHz continuous tone signal** |
| 19. Operating Temperature                              | - 30°C ~ 60°C   |  |

## Mechanical Drawing



Unit: mm.